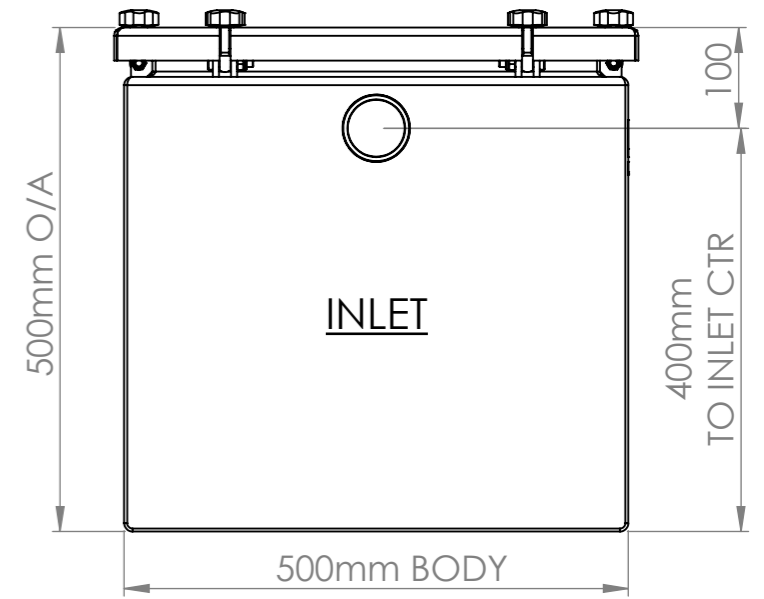
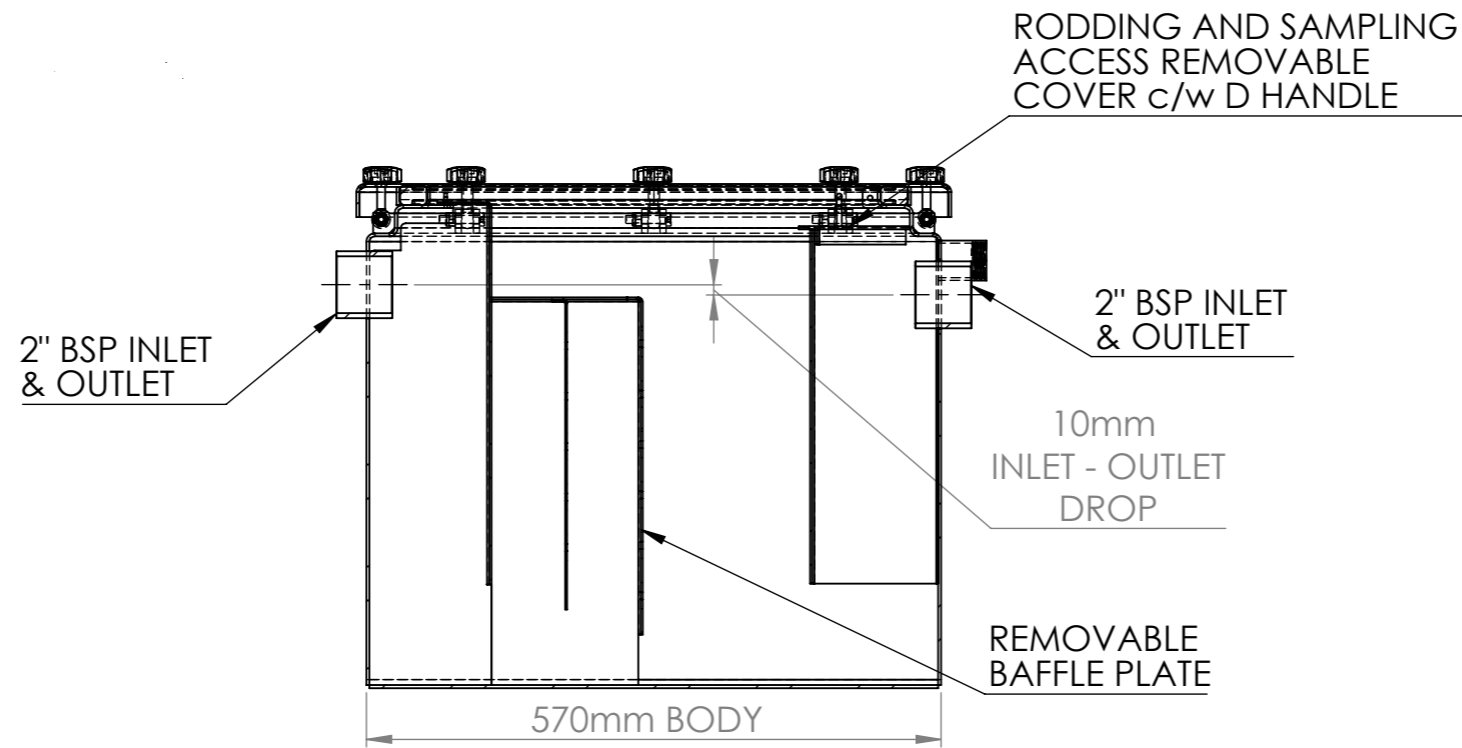
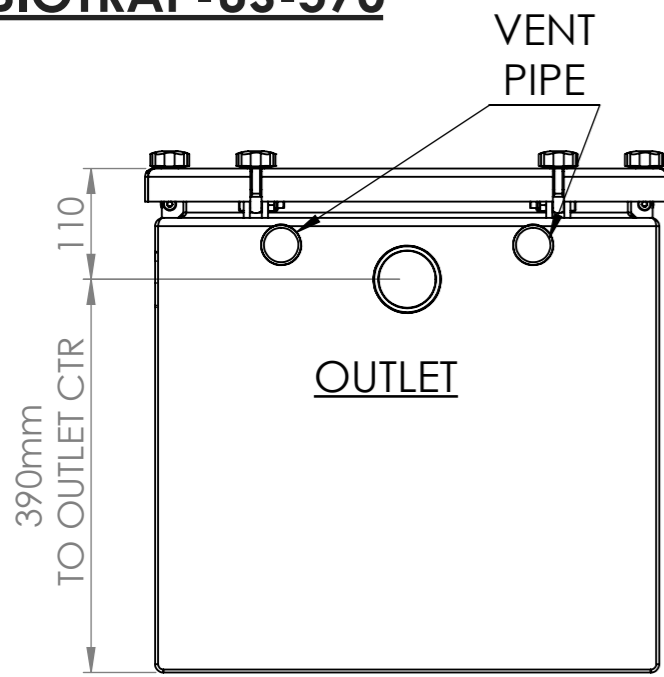
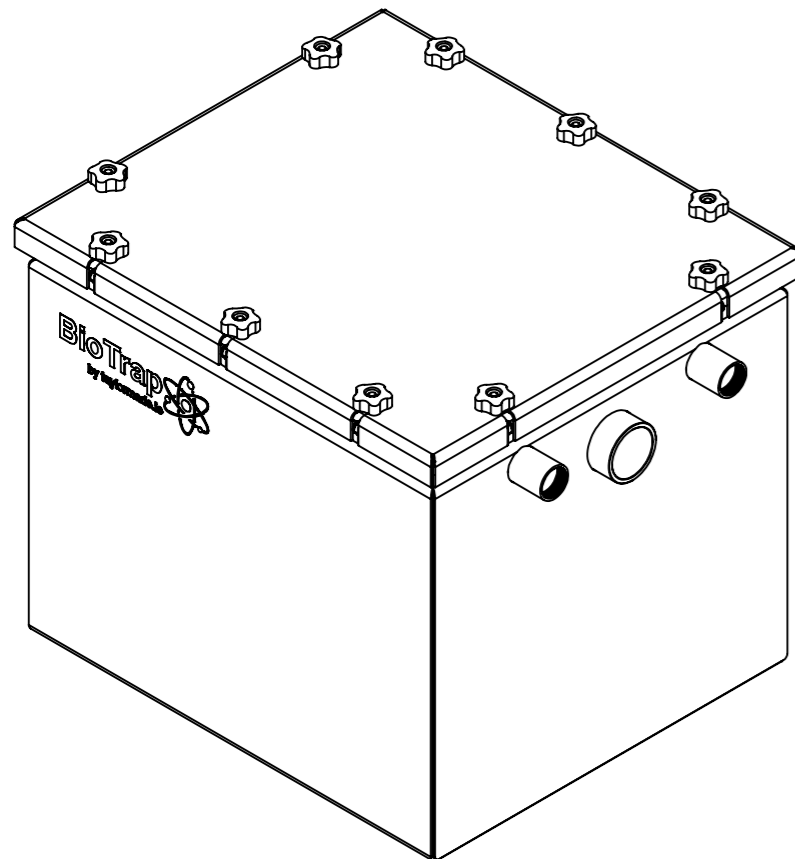
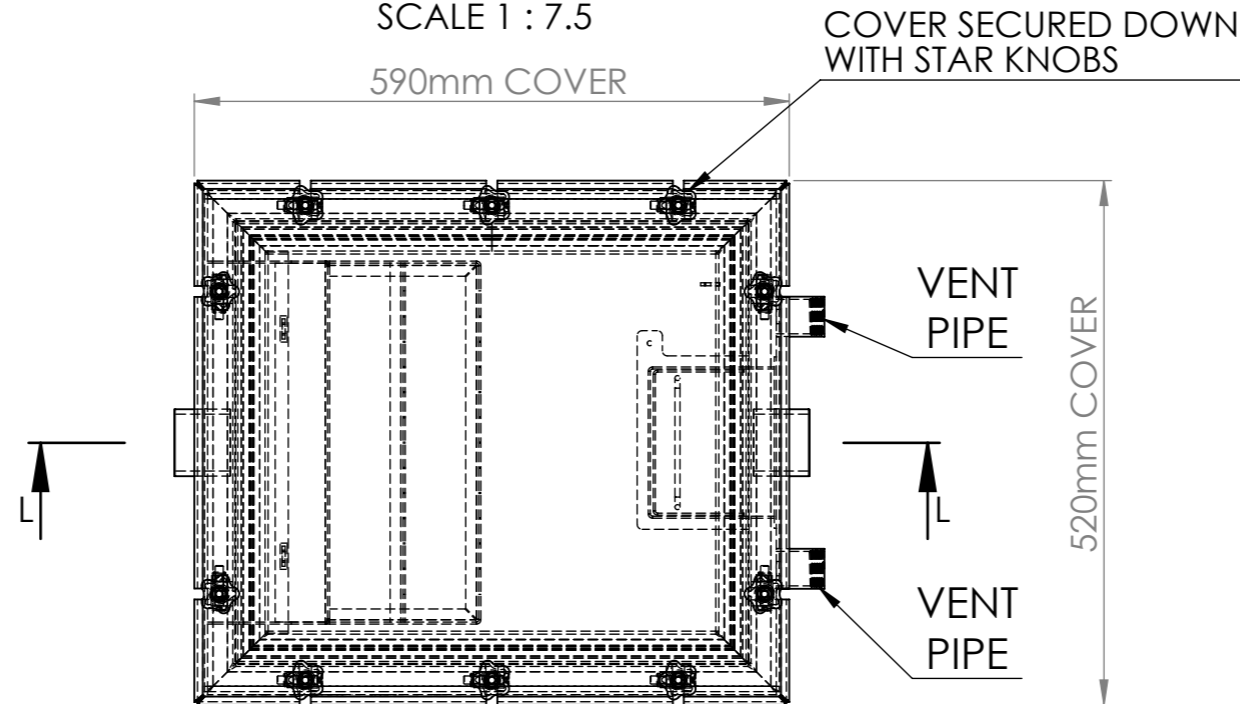


# BIOTRAP-US-570



SECTION L-L  
SCALE 1 : 7.5



OVERALL LENGTH	570mm
OVERALL WIDTH	500mm
HEIGHT	500mm
OUTLET	2" BSP
INLET	2" BSP
FILLED VOLUME	100 LITRES
WEIGHT EMPTY	60 KG
FILLED WEIGHT	160 KG

UNLESS OTHERWISE SPECIFIED:  
DIMENSIONS ARE IN MILLIMETERS

TOLERANCES:  
LINEAR  
0 - 10..... = ±0.25mm  
10 - 200..... = ±0.50mm  
200 - 1000..... = ±1.00mm  
1000 - Upwards = ±2.00mm  
ANGULAR..... = ±0.50°

DEBUR AND BREAK ALL SHARP EDGES

ALL DIMENSIONS TO OUTSIDE EDGES  
UNLESS STATED OTHERWISE

First Angle Projection



PROJECT:

TAYLORMADE GREASETRAP RANGE

TITLE:

BIOTRAP-US-570

<b>SAP</b>	NAME	DATE	FINISH: SATIN
DRAWN	ffrench	02 Jul 2021	MATERIAL: 304SS
APPVD			SIZE / THICKNESS: N/A
PROJECT NUMBER	PROJECT_02332	REVISION	WEIGHT: 68.94 kg
SALES ORDER			

DWG NO.

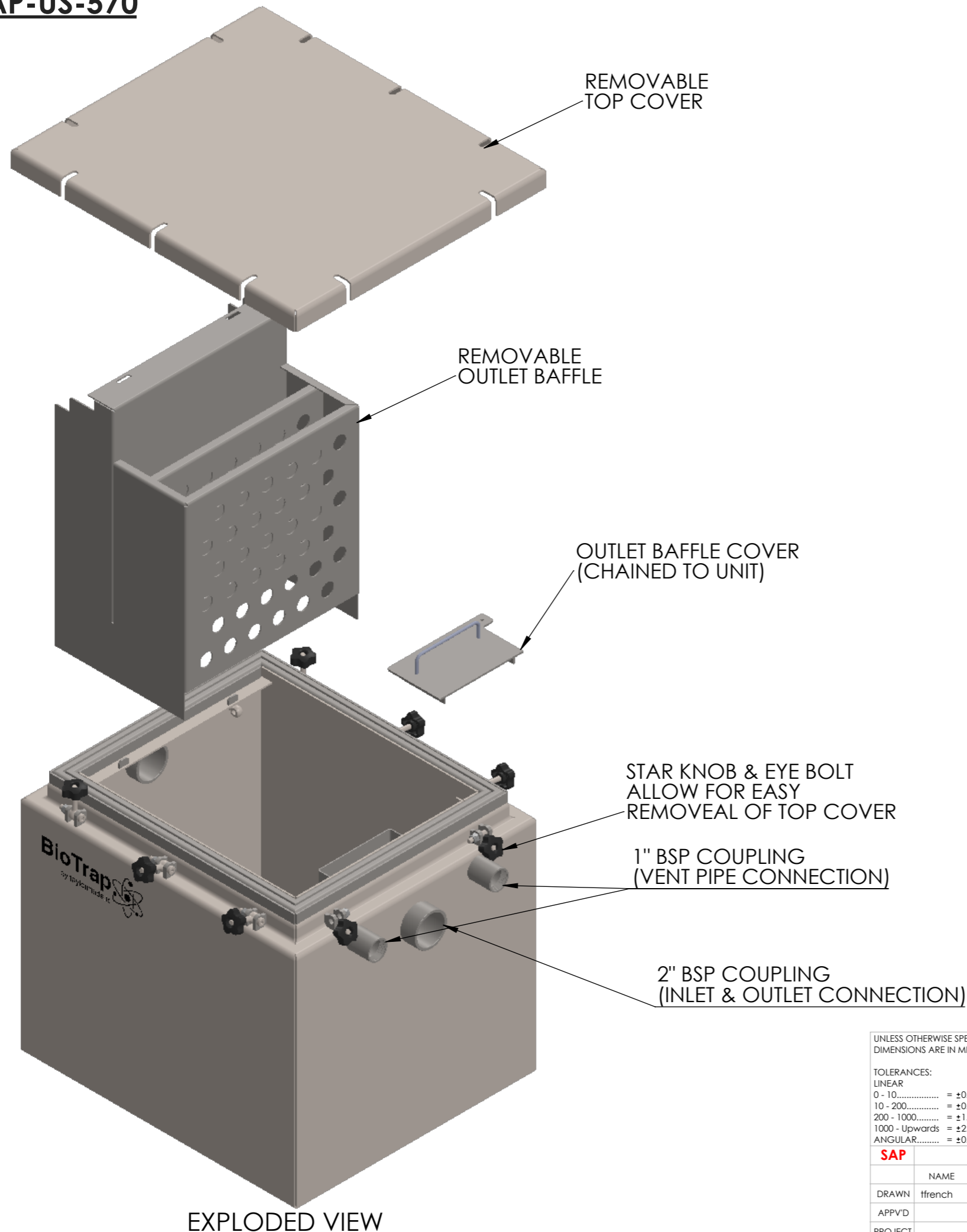
KS174230

**taylormade.ie**  
GREASETRAP SOLUTIONS

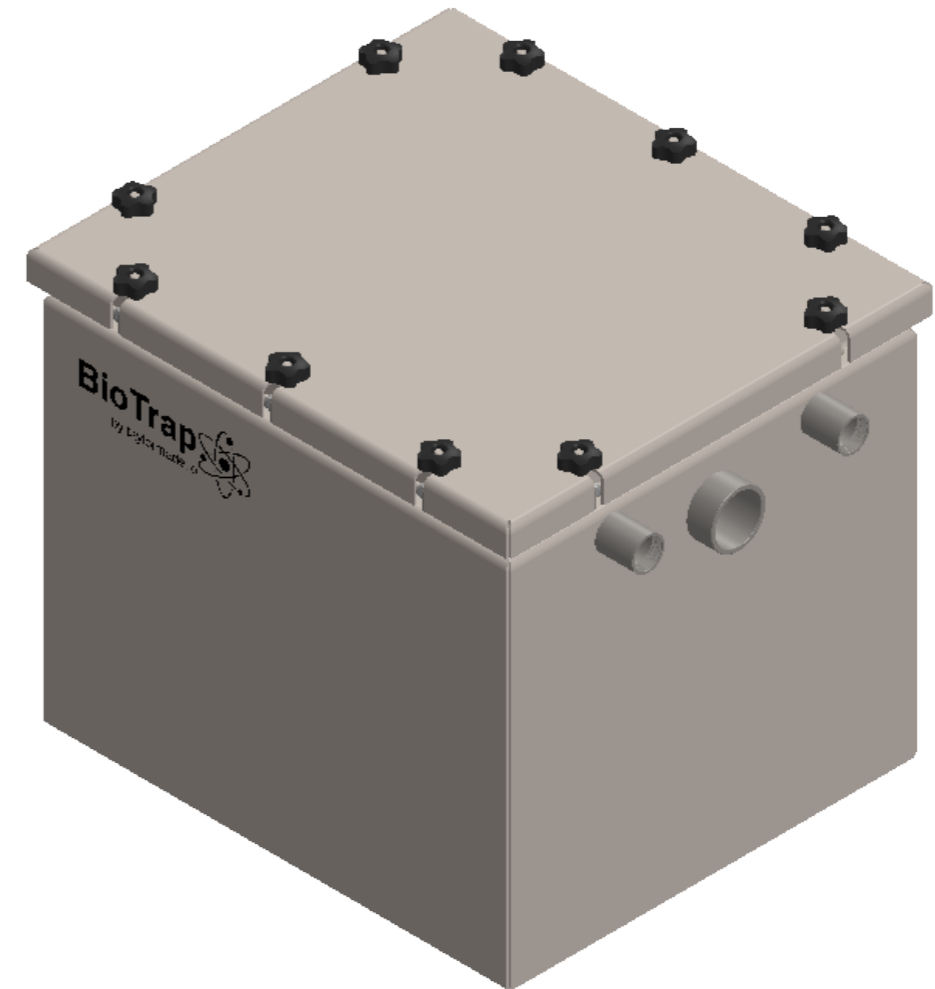
A3

SCALE:1:10

# BIOTRAP-US-570



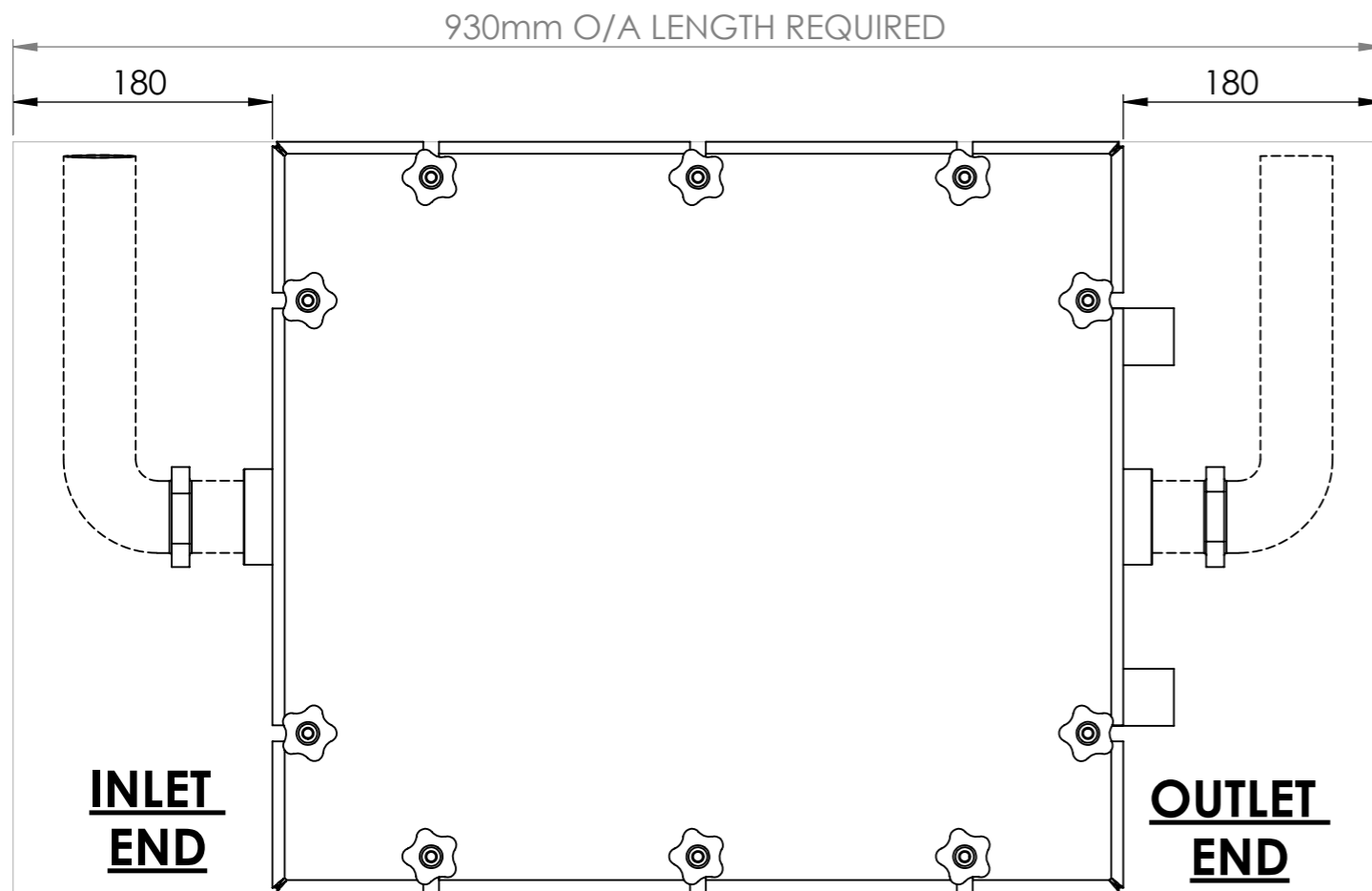
**EXPLODED VIEW**



**ISOMETRIC VIEW**

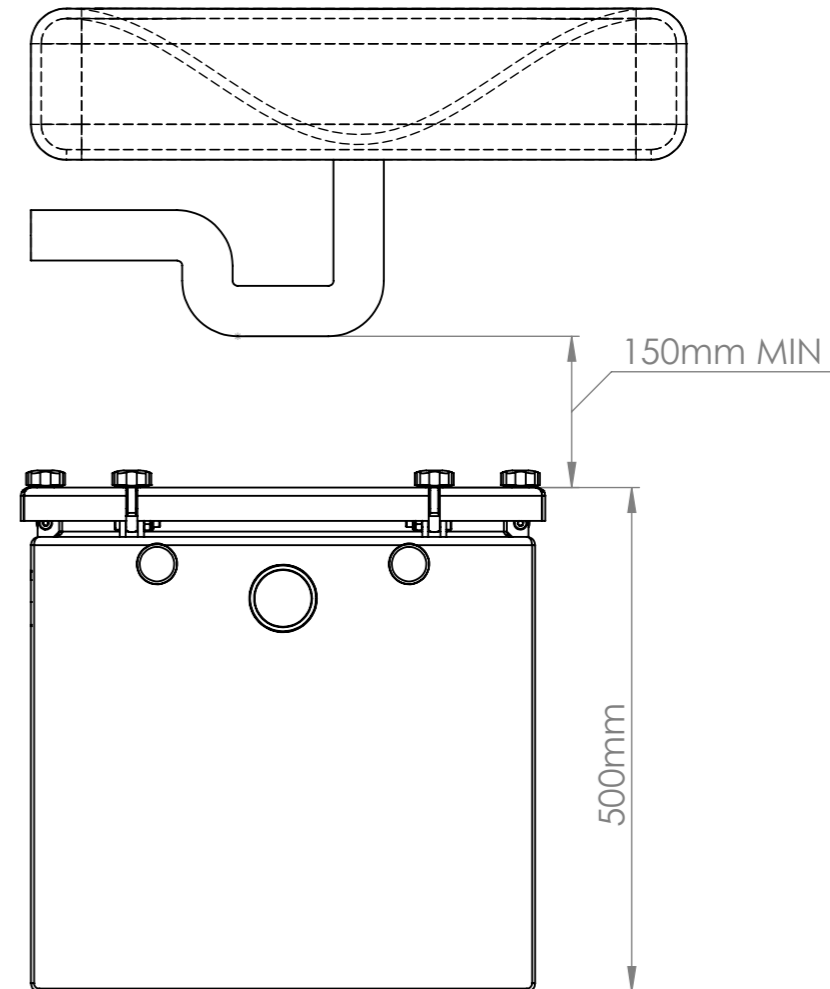
UNLESS OTHERWISE SPECIFIED: DIMENSIONS ARE IN MILLIMETERS		DEBUR AND BREAK ALL SHARP EDGES		PROJECT: TAYLORMADE GREASETRAP RANGE	
TOLERANCES: LINEAR 0 - 10..... = ±0.25mm 10 - 200..... = ±0.50mm 200 - 1000..... = ±1.00mm 1000 - Upwards = ±2.00mm ANGULAR..... = ±0.50°		ALL DIMENSIONS TO OUTSIDE EDGES UNLESS STATED OTHERWISE		TITLE: BIOTRAP-US-570	
First Angle Projection				DWG NO. <b>KS174230</b>	
<b>SAP</b>		FINISH: SATIN		 GREASETRAP SOLUTIONS	
NAME		DATE			
DRAWN ffrench		02 Jul 2021		A3	
APPVD				SCALE:1:10	
PROJECT NUMBER PROJECT_02332		REVISION		WEIGHT: 68.94 kg	
SALES ORDER					

**REQUIRED FOOTPRINT FOR THIS MODEL**



**180mm REQUIRED AT BOTH ENDS OF GREASETRAP FOR PIPEWORK AS SHOWN**

**REQUIRED HEADROOM FOR THIS MODEL**



**150mm REQUIRED AT TOP OF GREASETRAP TO ALLOW FOR LID REMOVAL & CLEANING AS SHOWN**

UNLESS OTHERWISE SPECIFIED: DIMENSIONS ARE IN MILLIMETERS		DEBUR AND BREAK ALL SHARP EDGES		PROJECT: TAYLORMADE GREASETRAP RANGE	
TOLERANCES: LINEAR 0 - 10..... = ±0.25mm 10 - 200..... = ±0.50mm 200 - 1000..... = ±1.00mm 1000 - Upwards = ±2.00mm ANGULAR..... = ±0.50°		ALL DIMENSIONS TO OUTSIDE EDGES UNLESS STATED OTHERWISE		TITLE: BIOTRAP-US-570	
SAP		First Angle Projection		FINISH: SATIN	
NAME		DATE		DWG NO. KS174230	
DRAWN ffrench		02 Jul 2021		MATERIAL: 304SS	
APPVD		REVISION		SIZE / THICKNESS: N/A	
PROJECT NUMBER PROJECT_02332		SALES ORDER		WEIGHT: 68.94 kg	
SCALE: 1:10		SCALE: 1:10		A3	